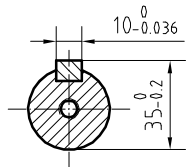
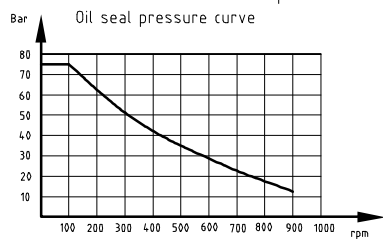
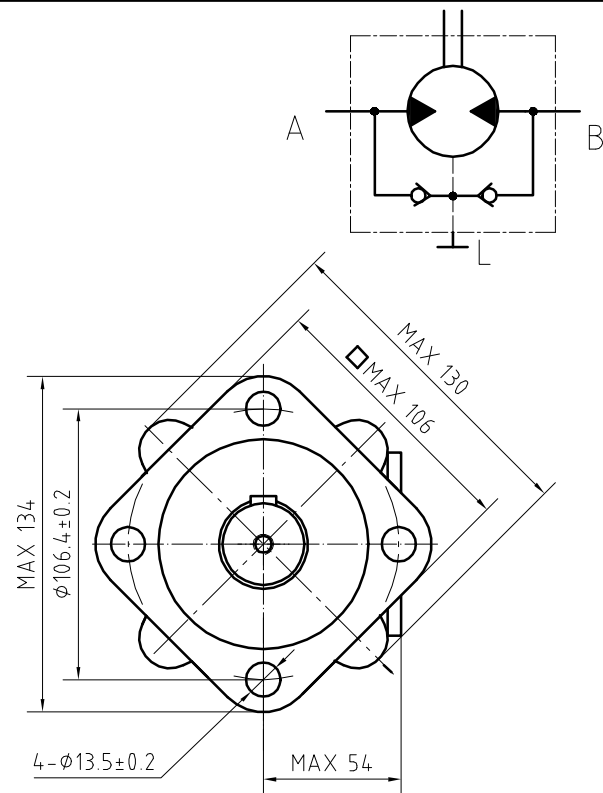
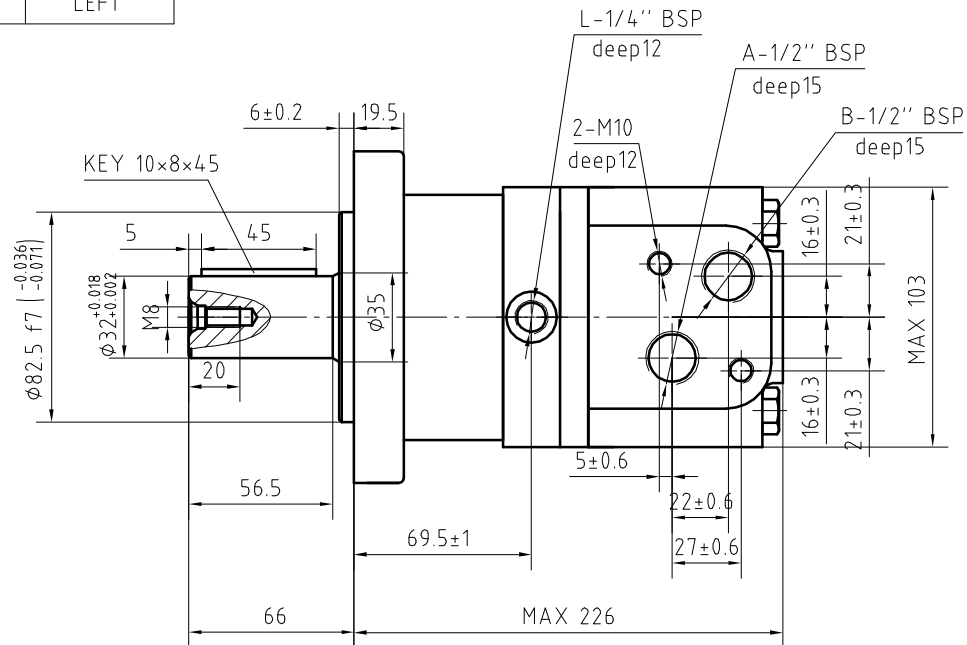


| | |
|------------------------------|-------------------------|
| REQUIRED CONTAMINATION CLASS | ISO 4406 class 20/18/15 |
| OPERATING TEMPERATURE RANGE | -20° to +90°C |

| INLET | DIRECTION |
|-------|-----------|
| A | RIGHT |
| B | LEFT |



forward products

CE

TYPE _____

S/N: _____

| PRESSURE(bar) | | |
|---------------|--------------|------|
| CONTINUOUS | INTERMITTENT | PEAK |
| 140 | 160 | 180 |
| Type:Geroller | | |

Max allowed back-pressure or drain pressure: 60bar
 Max allowed torque: 710Nm
 Max speed: 185rpm
 PAINTING COLOUR: BLACK
 PAINTING THICKNESS RANGE: 0.04mm-0.06mm
 SHAFT: MAGNESIUM PHOSPHATED

| | |
|----------------------------|--------------------|
| forward products | Date 08.03.2019 |
| Nom.Displacement 400cc/rmp | |
| FP-MS400-4H-CY32-01 | |